

FASTENER DATA

TOOL CHARACTERISTICS

HEIGHT	WIDTH	LENGTH	WEIGHT
222 mm.	68 mm.	285 mm.	1.280 Kg.
MIN-MAX WORKING PRESSURE		70 / 100 PSIG 5 / 7 BAR	
AIR CONSUMPTION PER SHOT		PERFORMANCES AT 90 psi ( 0.62 Mpa ) 0.43 l.	
LUBRICANT		BCNZ617 500 ml.	

AxB) SHANK	1.00 x 1.27 mm.
C) HEAD	2.20 mm.
L) LENGTH	15 - 40 mm.
MAGAZINE CAPACITY	105 brads

* ACTUATION SYSTEM	1 (SAFETY : SS)
--------------------	-----------------

* LOADING	<input type="checkbox"/> BOTTOM LOADING <input checked="" type="checkbox"/> SIDE LOADING <input type="checkbox"/> TOP LOADING <input type="checkbox"/> COIL <input type="checkbox"/> OTHER
-----------	--

\* SEE INSTRUCTION MANUAL

NOISE CHARACTERISTICS	EN 12549+A1:2008	$L_{WA,1s}$ : 98.70 dB(A) - $K_{WA,1s}$ , 2.5
	EN ISO 4871:2009	$L_{pA,1s}$ : 91.00 dB(A) - $K_{pA,1s}$ , 2.5

VIBRATION VALUE	UNI ISO/TS 8662-11 IS BELOW THE DECLARATION LIMIT SET BY UNI EN ISO 12100-1/2
-----------------	---

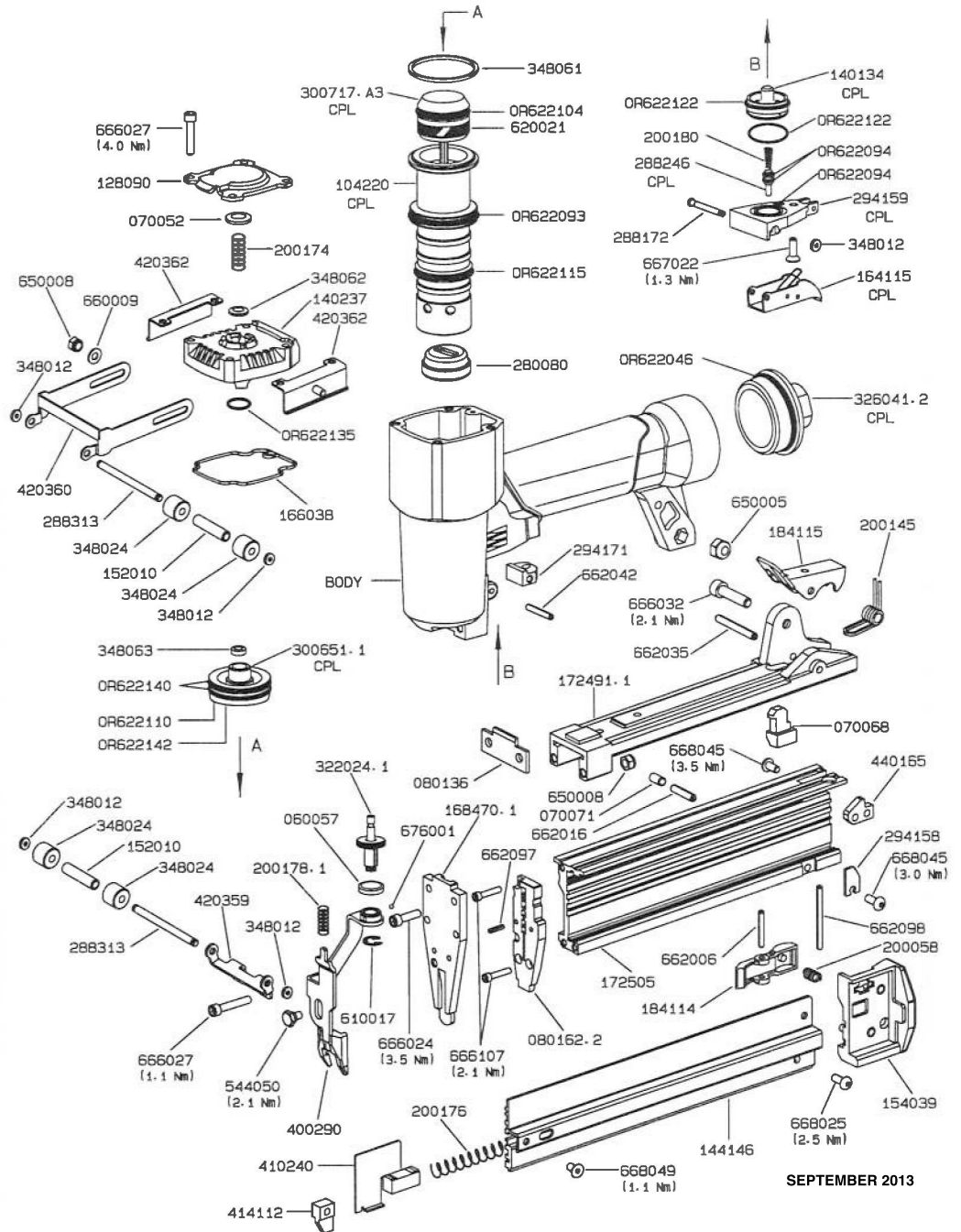
# R21T GN-40A G.S.

SPARE PARTS LIST

ESP	MACHINE CODE	MACHINE CODE	MACHINE CODE	MACHINE CODE	MACHINE CODE
1	11166. A2	21166. A2	31166. A2	U31166. A2	
DESC.	F21T GN-40A G.S.	R21T GN-40A G.S.	H21T GN-40A G.S.	U21T GN-40A G.S.	
BODY	138. 633	138. 656	138. 663	138. 693	

Code/Codice	RSP	Qty/Qtà	Description/Descrizione	Code/Codice	RSP	Qty/Qtà	Description/Descrizione
000060057		1	RING	000622135	R	1	O-RING
000070052	R	1	BUFFER	000622140	R	2	O-RING
000070068	R	1	BUFFER	000622142	R	1	O-RING
000070071	R	1	BUFFER	000650005	R	1	NUT
000080136		1	REST	000650008	R	4	NUT
000080162. 2		1	REST	000660009	R	2	WASHER
000104220		1	CYLINDER	000662006	R	1	PIN
000128090		1	COVER	000662016	R	1	PIN
000138656		1	BODY	000662035	R	1	PIN
000140134		1	REMOTE CONTROL	000662042	R	1	PIN
000140237		1	CAP	000662097	R	2	PIN
000144146		1	SLIDER	000662098	R	1	PIN
000152010		2	SPACER	000666067	R	2	SCREW
000154039		1	ADAPTEK	000666068	R	1	SCREW
000164115		1	TRIGGER	000666096	R	6	SCREW
000166038	R	1	GASKET	000666107	R	3	SCREW
000168470. 1		1	PLATE	000667022	R	1	SCREW
000172491. 1		1	LOADER	000668025	R	2	SCREW
000172505		1	LOADER	000668045	R	3	SCREW
000184114		1	CATCH	000668049	R	1	SCREW
000184115		1	CATCH	000676001		1	BALL
000200058	R	1	SPRING				
000200145	R	1	SPRING				
000200174	R	1	SPRING				
000200176	R	1	SPRING				
000200178. 1	R	1	SPRING				
000200180	R	1	SPRING				
000280080	R	1	BUMPER				
000288172		1	PIN				
000288246		1	STUD				
000288313		2	PIN /				
000294158		1	PLATE				
000294159	R	1	PLATE				
000294171		1	PLATE				
000300651. 1		1	PISTON				
000300717. A3	R	1	DRIVER PISTON				
000322024. 1		1	ADJUSTER				
000326041. 2		1	ADAPTER				
000348012		5	SPACER / NONIUS-LIA				
000348024		4	SPACER				
000348061		1	SPACER				
000348062		1	SPACER				
000348063		1	SPACER				
000400290		1	SAFETY				
000410240	R	1	PUSHER				
000414112		1	SQUARE				
000420359		1	HOLDER				
000420360		1	HOLDER				
000420362		2	HOLDER				
000440165		1	SLOT				
000544050	R	1	SCREW				
000610017	R	1	STOP RING				
000620021	R	1	RING				
000622046	R	1	O-RING				
000622093	R	1	O-RING				
000622094	R	3	O-RING				
000622104	R	1	O-RING				
000622110	R	1	O-RING				
000622115	R	1	O-RING				
000622122	R	2	O-RING				

SEPTEMBER 2013



R=Recommended spare parts

SEPTEMBER 2013